

---

LFCARC  
P.O. Box 3  
Lancaster, OH 43130

---



K8QIK

## ***February Issue***

### **Table of Contents**

- Page 1 - Groundhoggery.*
- Page 2 - Project of the Month*
- Page 3 - Person of the Month*
- Page 4 - February Minutes*
- Page 5 - February Birthdays*
- Page 6 - Recipe of the Month*

# The Ragchewer



February 2005

**The Monthly  
News Letter  
of the  
Lancaster &  
Fairfield  
County  
Amateur  
Radio Club.**

## **Club Meetings:**

1st Thursday of  
every month at 7:30  
p.m. at the Club  
House on State  
Route 37 (Granville  
Pike) next to  
Beavers Field.

## **Radio Night:**

Every Thursday of  
every month (Except  
1st Thursday at the  
Clubhouse, 6:30  
p.m. to 8:30 p.m. to  
8:30 p.m. on State  
Route 37 (Granville  
Pike) next to  
Beavers Field.

## **Net:**

Mondays 9 p.m.  
147.030 MHz (+.6)  
146.700 MHz (-.6)  
Alternate Freq.  
443.875 Mhz (+5)

Club Packet BBS  
145.53 MHz  
K8QIK-1 BBS  
K8QIK-2: OHIO53  
(Club Node)

## **Another Six Weeks?!**

Winter seems to be adamant on sticking around as noted by our little friend the groundhog, but maybe we might get a little bit of warmth from the company of good friends! This issue of the Ragchewer has a few changes in it. Most of them are cosmetic, and all of them are subject to change if they are found to be without merit. I was also kindly informed by Mr. Hilliard that the CW learning net, and Slow Scan net no longer take place, so the respective advertisements have been removed to free up more space. If you have something worth advertising, please let me know so we can utilize that space! Within the next issue, I am hoping to change both the heaviness of the fonts, and the fonts themselves to something a bit more asthetic if possible. For our person of the month, we have selected a very kind and worthy man, Mr. Gary Snider! His interview should prove most interesting. As far as a project for this month, we will be looking at a handy tool that any HAM operator can use, namely an RF probe. I would like to also take a little time to thank a few different people including Kay Hanna, and Ed Campbell for helping me out when I could not fulfill my duties due to conflicts with my work schedule.

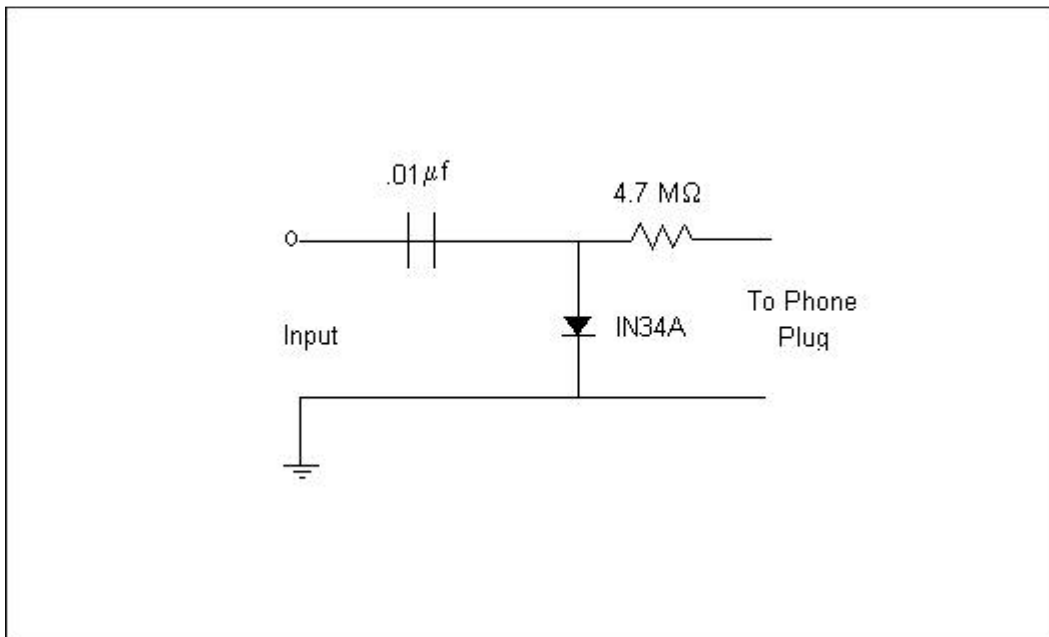
## **Project of the Month** **(RF Probe)**

*This month we are going to look at a rather simple yet useful project, the RF probe. First of all, we should take a look at the (possible) parts list:*

### **Parts List**

- 1 .01 microfarad capacitor*
- 1 4.7 megaohm resistor*
- 1 IN34A diode*

*Not too much to work with eh? Well the results are rather satisfying. This particular design comes from the ARRL handbook and seems to be fairly robust. Many people mount their designs into things like tube shields, or even ammunition rounds coupled with pen cases. There are all sorts of designs, and modifications to the base circuit I present here. I would absolutly love to hear from anyone who has some specific modifications, or some real world knowledge to how one of these probes might be best utilized. I am sure someone out there has used one of these on a regular basis to detect the presence of RF in a circuit they were building. Stories are always welcome.*



*This particular design is accurate within about ten percent either way when the frequency is anywhere from 50 kHz to 250 Megahertz. The input impedance is around 6 kilo-Ohms. I am sure there are ways of choosing different capacitance values to change the operating range, and the input impedance. Anyone have any good suggestions? Perhaps you may have a modification of this design which you feel is more suitable for use, or better designed? If so, I would love to hear from you!*

## *Person of the Month*

*Mr. Gary Snider*

*This month Mr. Gary Snider took a little time out of his busy schedule to answer a few questions for us.*

*1) How long have you been operating?*

*First Ham licence June 15, 2003 but was into CB's in the early 70's .*

*2) What originally got you interested in HAM radio?*

*Was looking for a radio for our farm communication and then the more I read on radios the more I became interested in all the different things you could do on Ham radios. Also, my brother Bob was getting into Ham radio about the same time.*

*3) What is the most interesting contact you have ever made?*

*HK4CYR Carlos Angel from Medellin, Columbia on 14.245*

*4) What convinced you to join the radio club?*

*Seemed to be the proper thing to do, supporting the Club that provides the repeater that we all use and also I knew several of the people in the club for many years..*

*5) What is your current rig?*

*Icom 746 Pro with a Cushcraft ARX2B for 2 Meter, a dipole for 6 Meters and a Alpha Delta DXLB Plus dipole with an MFJ 969 Tuner for HF .*

*6) If you could change anything about HAM radio in its current state, what would it be and why?*

*It seems to be doing all right to me, with a pretty good relationship in our area with the local EMA and other organizations.*

## **February Minutes**

*15 members present*

*President- N8KZN-Charlie Snoke called meeting to order.*

*Pledge of allegiance- N8KZN-Charlie Snoke*

*Secretarys Report- None KC8HJW Kay Hanna took minutes*

*Treasurers Report - WD8PGO Ed Campbell Sr*

*W8FZ-Fred Stutske made motion to accept minutes. 2nd KC8HCD-Gary Hanna*

*Activities Manager- KC8HJW Kay Hanna Christmas Party Ponderosa Rt 22 12-17-05 6:30pm to 9:30pm.*

*Station Engineer- W8OF John Hilliard Need new rotor for club house. Old one is about 40 yrs old.*

*W8FZ Fred Stutske made motion to purchase new rotor. N8KZN Charlie Snoke to go ahead and purchase at best price \$500 to \$650. 2nd KB8USK Tom Moore.*

*Safety Manager-WD8IXO-Scott Snoke Made a motion to purchase a good DVD player for a club raffle. To be given away at April Meeting. 2nd W8BLS Bob Snider.*

*Flower Fund -N8LPC-Connie Snoke Winner-KC8HCD Gary Hanna \$4.00 donated to equipment fund.*

*50-50 N8LPC- Connie Snoke Winner KB8DRQ David O'Hare-not present*

*New Business:*

*Ham Fest 2-13-05 Mansfield, Oh Ham Fest 3-20-05 Toledo, Oh*

*ARRL Letter- Steve Stalker Ham Radio letter for Local Radio*

*Stations or news medias. Gives insight for new Ham Operator. Antennas at Firehouses-Discussed*

*Ham Radio Emergency personnel need hook*

*up soft line for hand helds in case of an emergency.*

*Net Oprs:*

*2-7-05 N8KZN Charlie Snoke*

*2-14-05 W8DDG Leonard Schultz*

*2-21-05 ??????????????*

*2-28-05 KC8HCD Gary Hanna*

*June 26 and 27, 2005 Field Day*

*W8FZ Fred Stutske made a motion to adjourn meeting. 2nd by WOMNE Mike*

*Doty*

**The Lancaster and  
Fairfield County  
Amateur Radio Club**

2004/2005 Officers

**President:**  
Charles Snoke  
N8KZN

**Vice President:**  
Tom Moore  
KB8USK

**Treasurer:**  
Ed Campbell Sr.  
WD8PGO

**Secretary:**  
Jon Larabee  
KC8RUI

**Activities:**  
Kay Hanna  
KC8HJW

**Station Engineer:**  
John Hilliard  
W80F

**Trustee:**  
Richard A. Schleiffer  
W9ZZX

**Editor:**  
Jon Larabee  
KC8RUI

**Proofreader:**  
Gary Snider  
W8GTS

Weather Spotter Net  
146.67 Repeater with  
123Hz tone every Tuesday  
at 7:30 PM  
Alt Freq 147.240 Mhz

**February Birthdays**

Candice S. Wright (KC8NQG)  
Carolyn S. Campbell (KB8ZBV)

**Doing Anything Thursday Nights?**

*No? Well why not drop by the club house! Radio night takes place every Thursday night at 6:30 PM. Perhaps you wish to work a little HF? Maybe make a few DX contacts? There is apt to be something being built! Not into building? Perhaps just a hot cup of coffee and a few good stories are more to your liking? Nonetheless, we will have them all here waiting for you.*

**K8QIK On the Web:** <http://www.qsl.net/k8qik/>

## February Recipes

*This month we have a rather interesting recipe from Mrs. Snoke. Prune cake! Let's face it, we all could use a little more fiber in our diets! Can anyone else think of a better way of getting it? Alright, seriously, that is the only justification I have for something that sounds this good!*

<i>2 cups flour</i>	<i>1 t. cinn.</i>
<i>3/4 cup sugar</i>	<i>1 t. soda</i>
<i>3/4 cup brown sugar</i>	<i>1 t. baking powder</i>
<i>3 eggs</i>	<i>1 t. vanilla</i>
<i>1/2 cup buttermilk</i>	<i>1 cup cooked prunes or 1 cup baby food prunes</i>
<i>1 cup oil</i>	<i>1 t. salt</i>

*Use seedless prunes to cook or remove the seeds.*

### *Glaze*

*2 c. sugar  
1 and 1/2 sticks of margarine  
1 cup buttermilk (strained)  
1/2 t. baking soda*

*Bring to a boil. Stir down. Pour over cake that you have already cut and let set.*

*Bake at three hundred and fifty degrees for thirty minutes. Use a large cakepan. Connie also pricks the cake with a toothpick to help it pick up the glaze. Put whipped cream on top and enjoy!*